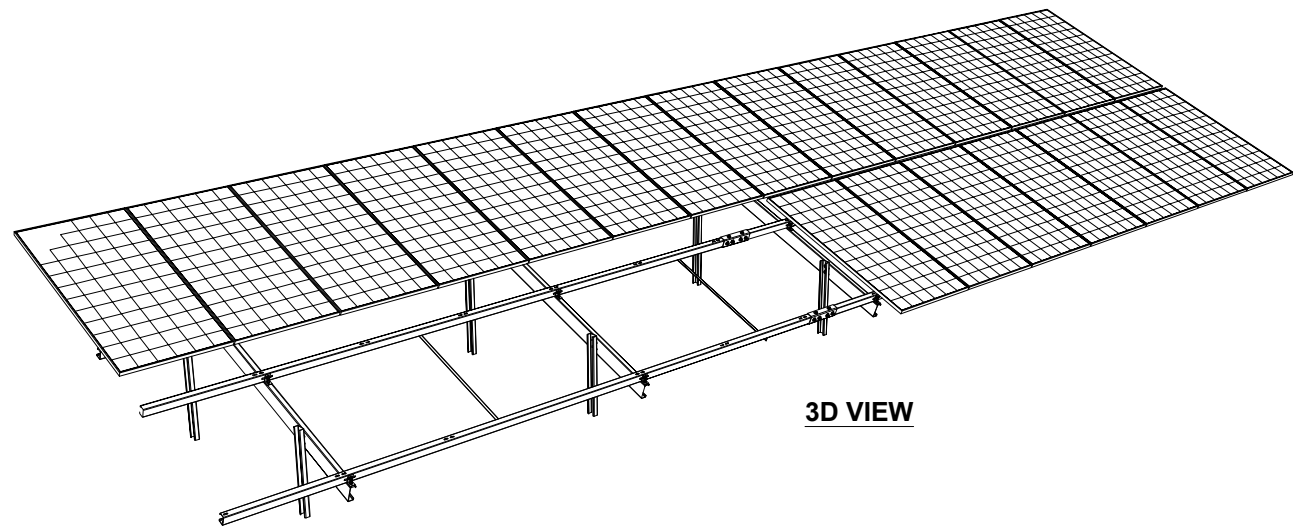
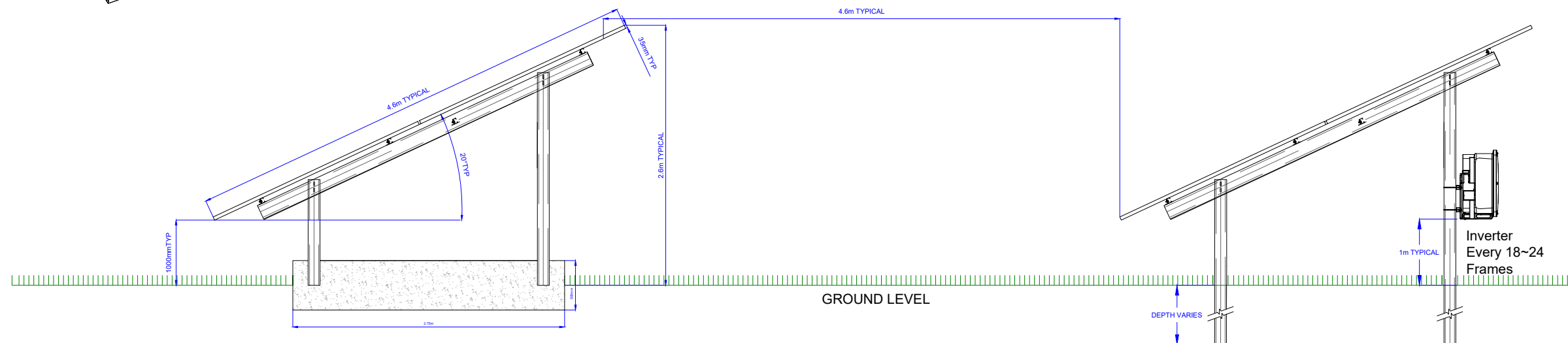
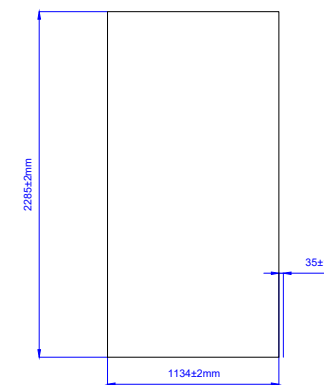


FRONT VIEW



3D VIEW

BIFACIAL PV MODULE DETAIL



**TYPICAL SECTION
CONCRETE BALLAST OPTION**

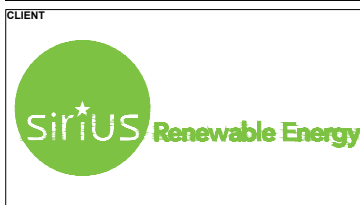
**TYPICAL SECTION
PILED OPTION**



THIS INFORMATION IS CONFIDENTIAL AND THE PROPERTY OF SIRIUS. IT IS RELEASED ON CONDITION THAT NONE OF THE INFORMATION SHALL BE DISCLOSED TO ANY THIRD PARTY OR REPRODUCED IN WHOLE OR PART WITHOUT THE PRIOR CONSENT IN WRITING OF SIRIUS

NOTES

KEY



JOB TITLE			
OAKLANDS SOLAR FARM AND BATTERY STORAGE			
DRAWING TITLE			
PV PANEL DETAILS			
DRAWN	DATE	APPROVED	DATE
S.T	19/8/2022	J.C	1/9/2022
SCALE	SHEET	DRAWING NUMBER	REVISION
1:50	A3L	SRE1113/02/05	0

REV	DESCRIPTION	DATE	BY