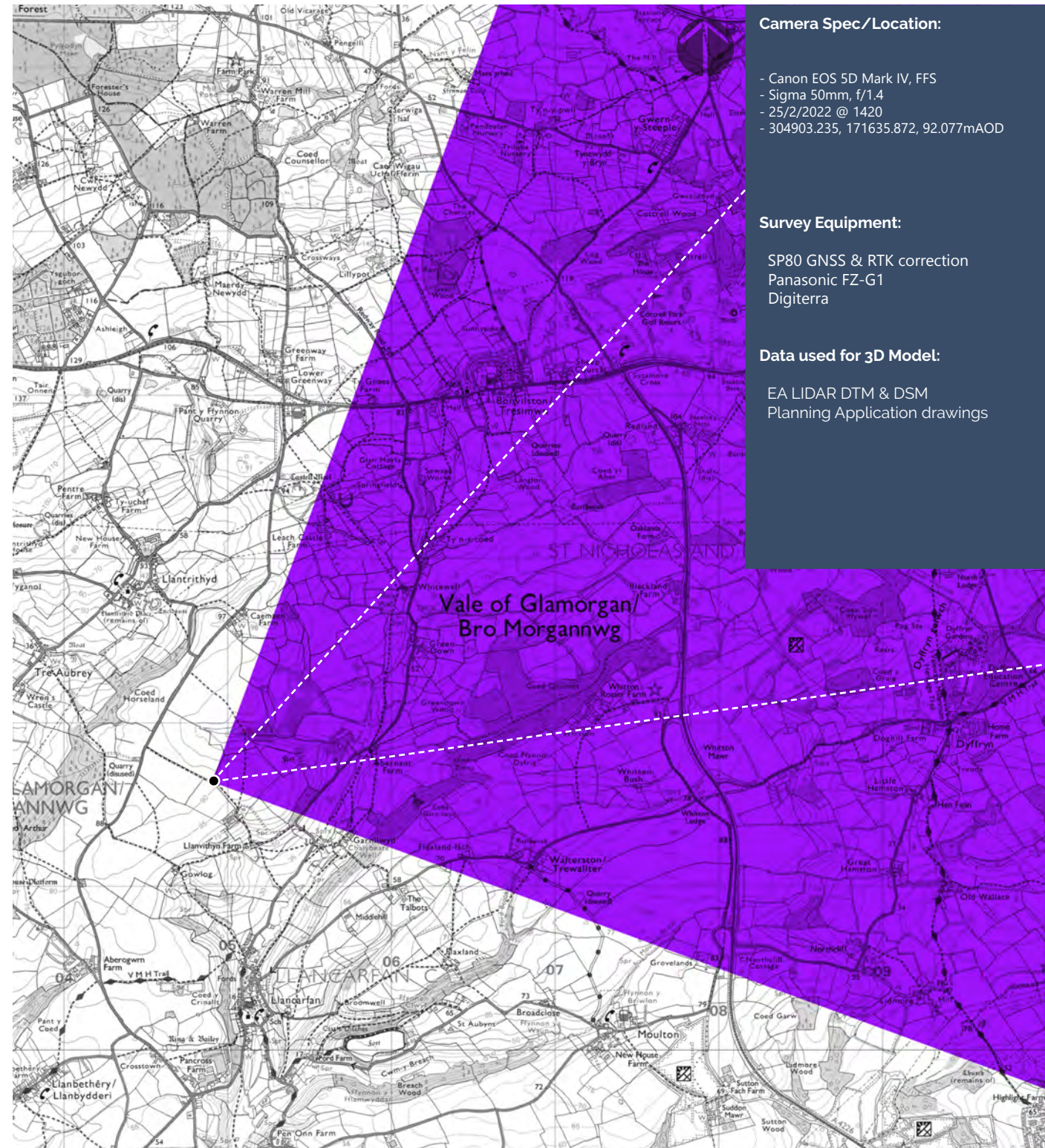


Document Reference	Appendix No.	Title
4.01.7d	7.4	

Camera Location:



Crown Copyright and database rights 2022 Ordnance Survey 0100031673

Tripod:



50mm Lens Planar Projection (actual 49.7mm; 39.9 deg HFOV)



Point of Perspective

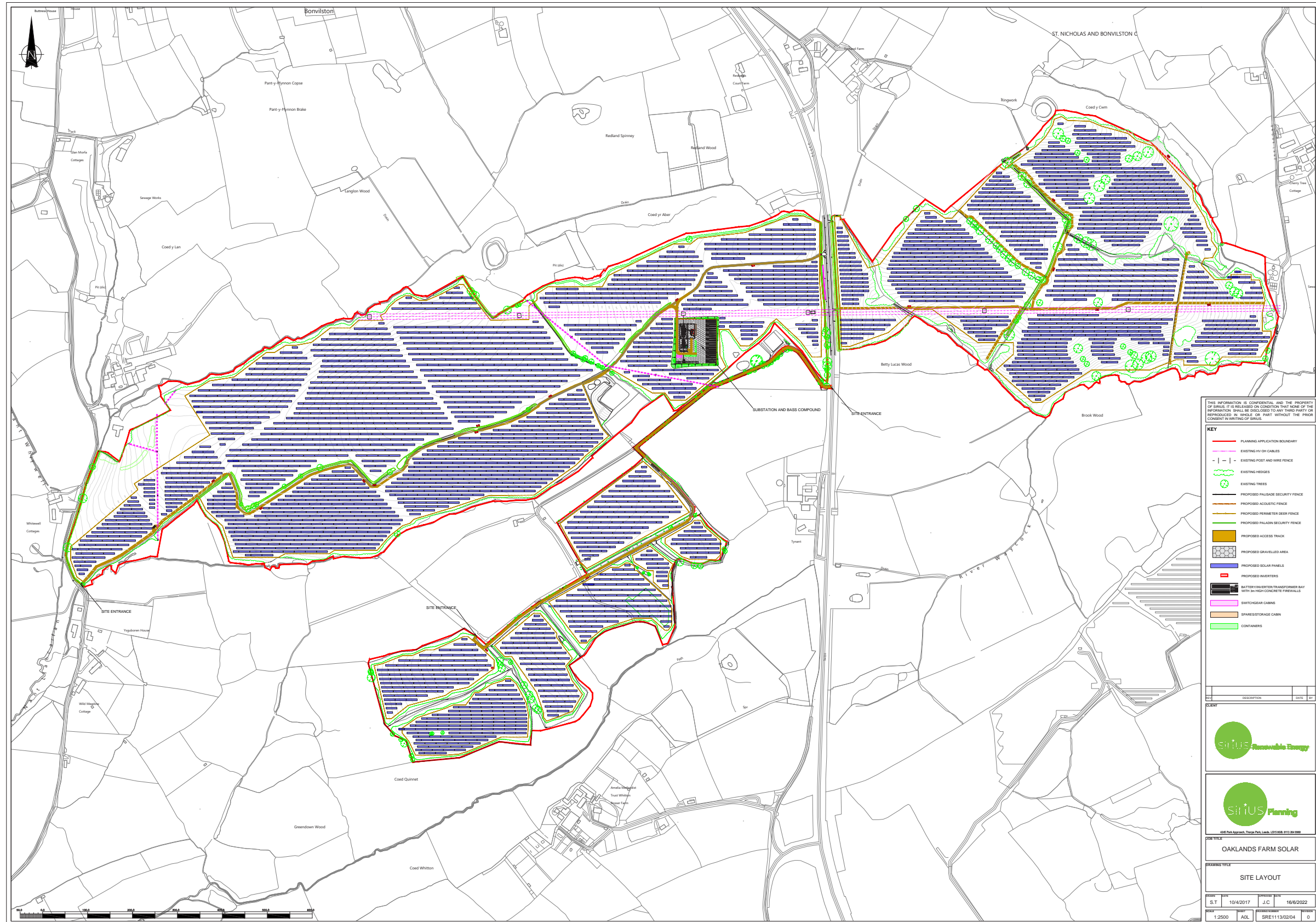
Point of Perspective

Point of Perspective

Point of Perspective

Viewpoint 16 Single Frame 50mm image

APPENDIX 1.2: LAYOUT INFORMATION USED FOR 3D MODEL CONSTRUCTION





Spectra Precision SP80 GNSS Receiver



The Most Connected GNSS Receiver

CONNECTED
RELIABLE
RUGGED

INNOVATIVE



SP80 GNSS Receiver

The Spectra Precision SP80 is a next generation GNSS receiver that combines decades of GNSS RTK technology with revolutionary new GNSS processing. Featuring the new 240-channel "6G" chipset, the SP80 system is optimized for tracking and processing signals from all GNSS constellations.

In addition, SP80 is the most connected GNSS receiver in the industry. It is the first to offer a unique combination of integrated 3.5G cellular, Wi-Fi and UHF communications with SMS, email and anti-theft features.

These powerful capabilities, packaged in an ultra-rugged and cable-free housing with unlimited operation time (hot-swappable batteries), make SP80 an extremely versatile turnkey solution.

Key Features

- New 240-channel 6G ASIC
- Z-Blade GNSS-centric
- 3.5G cellular modem
- Internal TRx UHF radio
- Built-in WiFi communication
- SMS and e-mail alerts
- Anti-theft protection
- Hot-swappable batteries



Patented inside-the-rod mounted UHF antenna design

TOUGHPAD FZ-G1

Panasonic recommends Windows.

SOFTWARE	<ul style="list-style-type: none"> Windows 10 Pro 64 bit Panasonic Utilities including Dashboard, Recovery Partition 														
DURABILITY	<ul style="list-style-type: none"> MIL-STD-810G certified (4' drop, shock, vibration, rain, dust, sand, altitude, freeze/thaw, high/low temperature, temperature shock, humidity, explosive atmosphere) IP65 certified sealed all-weather design Optional class I division 2, groups ABCD certified model Solid state drive heater Magnesium alloy chassis encased with ABS and elastomer corner guards Optional hand strap or rotating hand strap Port covers Raised bezel for LCD impact protection Pre-installed replaceable screen film for LCD protection 														
CPU	<ul style="list-style-type: none"> Intel® Core™ i5-6300U vPro™ Processor ~ 2.4 GHz up to 3.0 GHz with Intel® Turbo Boost Technology Intel Smart Cache 3MB 														
STORAGE & MEMORY	<ul style="list-style-type: none"> 8GB DDR3L SDRAM^{1,5} 256GB solid state drive (SSD) with heater^{1,5} Optional 512GB ~ up to 64GB additional storage with optional microSDXC card slot 														
DISPLAY	<ul style="list-style-type: none"> 10.1" WUXGA 1920 x 1200 with LED backlighting 10-point capacitive multi touch + Waterproof Digitizer pen daylight-readable screen ~ 2-800 nit IPS display with direct bonding Anti-reflective and anti-glare screen treatments Ambient light sensor, digital compass, gyro and acceleration sensors Automatic screen rotation Intel® HD Graphics 520 (Built-in CPU) video controller Concealed mode (configurable) 														
AUDIO	<ul style="list-style-type: none"> Integrated microphone Realtek high-definition audio Integrated speaker On-screen and button volume and mute controls 														
KEYBOARD & INPUT	<ul style="list-style-type: none"> 10-point gloved multi touch + digitizer screen Supports bare-hand touch and gestures and electronic waterproof stylus pen Supports glove mode and wet-touch mode 7 tablet buttons (2 user-definable) Integrated stylus holder On-screen QWERTY keyboard 														
CAMERAS	<ul style="list-style-type: none"> 720p webcam with mic 8MP rear camera with autofocus and LED light 														
EXPANSION	<ul style="list-style-type: none"> Optional MicroSDXC3 														
INTERFACE	<table border="0"> <tr> <td>Docking connector</td> <td>24-pin</td> </tr> <tr> <td>HDMI</td> <td>Type A</td> </tr> <tr> <td>Headphones/speaker</td> <td>Mini-jack stereo</td> </tr> <tr> <td>Optional Serial Dongle¹</td> <td>D-sub 9-pin</td> </tr> <tr> <td>USB 3.0 (x 1)²</td> <td>4-pin</td> </tr> <tr> <td>Optional second USB 2.0²</td> <td>4-pin</td> </tr> <tr> <td>Optional 10/100/1000 Ethernet³</td> <td>RJ-45</td> </tr> </table>	Docking connector	24-pin	HDMI	Type A	Headphones/speaker	Mini-jack stereo	Optional Serial Dongle ¹	D-sub 9-pin	USB 3.0 (x 1) ²	4-pin	Optional second USB 2.0 ²	4-pin	Optional 10/100/1000 Ethernet ³	RJ-45
Docking connector	24-pin														
HDMI	Type A														
Headphones/speaker	Mini-jack stereo														
Optional Serial Dongle ¹	D-sub 9-pin														
USB 3.0 (x 1) ²	4-pin														
Optional second USB 2.0 ²	4-pin														
Optional 10/100/1000 Ethernet ³	RJ-45														
WIRELESS	<ul style="list-style-type: none"> Optional integrated 4G LTE multi carrier mobile broadband with satellite GPS Optional GPS (u-blox NEO M8N)⁴ Intel® Dual Band Wireless-AC 8260 (IEEE802.11a/b/g/n/ac) Bluetooth v4.1, Classic mode/Low Energy mode, Class 1 (Windows 10 pro 64-bit) Security <ul style="list-style-type: none"> Authentication: LEAP, WPA, 802.1x, EAP-TLS, EAP-FAST, PEAP Encryption: CKIP, TKIP, 128-bit and 64-bit WEP, Hardware AES Dual high-gain antenna pass-through 														
POWER SUPPLY	<ul style="list-style-type: none"> Li-ion battery pack: <ul style="list-style-type: none"> Standard battery: Li-ion 11.1 V, 4200 mAh (typ.), 4080 mAh (min.) Optional long life battery⁷: Li-ion 10.8V, 9300mAh (typ.), 8700mAh (min.) Battery operation⁸: <ul style="list-style-type: none"> Standard battery: 14 hours Optional long life battery⁷: 28 hours Battery charging time⁸: <ul style="list-style-type: none"> Standard battery: 2.5 hours off, 3 hours on Optional long life battery⁷: 3 hours off, 4 hours on Optional bridge battery⁷ (1 minute swap time) 														
POWER MANAGEMENT	<ul style="list-style-type: none"> Suspend/Resume Function, Hibernation, Standby 														
SECURITY FEATURES	<ul style="list-style-type: none"> Password Security: Supervisor, User, Hard Disk Lock Kensington cable lock slot Trusted platform module (TPM) security chip v2.0¹⁰ CompuTrace[®] theft protection agent in BIOS⁹ Optional Insertable SmartCard reader¹¹ Optional Contactless SmartCard/HF RFID reader¹² ISO 15693 and 14443 A/B compliant 														

WARRANTY	<ul style="list-style-type: none"> 3-year limited warranty, parts and labor 																																																						
DIMENSIONS & WEIGHT	<ul style="list-style-type: none"> 10.6" (L) x 7.4" (W) x 0.8" (H) 2.4 lbs. (standard battery) 3.0 lbs. (optional long life battery)⁷ 																																																						
INTEGRATED OPTIONS¹³	<ul style="list-style-type: none"> 4G LTE multi carrier mobile broadband with satellite GPS Choice of 1D/2D barcode reader (EA11 or EA21), GPS, Serial Dongle, Ethernet, MicroSDXC or second USB 2.0 port¹ Choice of bridge battery, magstripe reader, insertable SmartCard reader, insertable SmartCard reader with bridge battery, contactless SmartCard/RFID HF reader or UHF 900MHz RFID reader (EPC Gen 2)¹² 																																																						
ACCESSORIES¹⁴	<table border="0"> <tr> <td>AC Adapter (3-prong)</td> <td>CF-AA6413CM</td> </tr> <tr> <td>Standard Battery Pack</td> <td>FZ-VS08A2U</td> </tr> <tr> <td>Long Life Battery Pack⁷</td> <td>FZ-VS088U</td> </tr> <tr> <td>Long Life Battery Bundle (includes rotating hand strap and corner guard set)</td> <td>FZ-BNDL01L15T1C04</td> </tr> <tr> <td>Single Battery Charger Bundle</td> <td>FZ-BNDL01BATCHR</td> </tr> <tr> <td>LIND 3-Bay Battery Charger</td> <td>FZ-LND3BAYG1</td> </tr> <tr> <td>LIND Car Adapter 120W</td> <td>CF-LNDDC120</td> </tr> <tr> <td>LIND Car/AC Adapter 90W (with USB port)</td> <td>CF-LNDACDC90</td> </tr> <tr> <td>LIND Car Adapter 90W MIL-STD</td> <td>CF-LNDMLDC90</td> </tr> <tr> <td>Tall Corner Guard Set</td> <td>FZ-WCGG111</td> </tr> <tr> <td>Rotating Hand Strap and Tall Corner Guard Set Bundle</td> <td>FZ-BNDL01ST1C04</td> </tr> <tr> <td>ToughMate G1 Always-On Case (with hand strap)</td> <td>TBCG1AGNL-P</td> </tr> <tr> <td>ToughMate G1 Professional Portfolio</td> <td>TBCG1PFLD-BLK-P</td> </tr> <tr> <td>ToughMate G1 X Hand Strap</td> <td>TBCG1XSTP-P</td> </tr> <tr> <td>Desktop Cradle</td> <td>FZ-VEBG11AU</td> </tr> <tr> <td>Vehicle Docks (no pass-through)</td> <td></td> </tr> <tr> <td>- Gamber-Johnson</td> <td>7160-0486-00-P</td> </tr> <tr> <td>- Havis with LIND power supply</td> <td>CF-H-PAN-702-P</td> </tr> <tr> <td>Vehicle Docks (dual pass-through)</td> <td></td> </tr> <tr> <td>- Gamber-Johnson</td> <td>7160-0486-02-P</td> </tr> <tr> <td>- Havis with LIND power supply</td> <td>CF-H-PAN-702-2-P</td> </tr> <tr> <td>Cradlepoint Router</td> <td></td> </tr> <tr> <td>- Verizon</td> <td>CP-IBR1100LPE-VZ</td> </tr> <tr> <td>- AT&T</td> <td>CP-IBR1100LPE-AT</td> </tr> <tr> <td>Replacement Digitizer Pen Waterproof</td> <td>FZ-VNPG11U-S</td> </tr> <tr> <td>Tether</td> <td>FZ-VNTG11U</td> </tr> <tr> <td>10.1" LCD Protective Film</td> <td>FZ-VFPG11U</td> </tr> </table>	AC Adapter (3-prong)	CF-AA6413CM	Standard Battery Pack	FZ-VS08A2U	Long Life Battery Pack ⁷	FZ-VS088U	Long Life Battery Bundle (includes rotating hand strap and corner guard set)	FZ-BNDL01L15T1C04	Single Battery Charger Bundle	FZ-BNDL01BATCHR	LIND 3-Bay Battery Charger	FZ-LND3BAYG1	LIND Car Adapter 120W	CF-LNDDC120	LIND Car/AC Adapter 90W (with USB port)	CF-LNDACDC90	LIND Car Adapter 90W MIL-STD	CF-LNDMLDC90	Tall Corner Guard Set	FZ-WCGG111	Rotating Hand Strap and Tall Corner Guard Set Bundle	FZ-BNDL01ST1C04	ToughMate G1 Always-On Case (with hand strap)	TBCG1AGNL-P	ToughMate G1 Professional Portfolio	TBCG1PFLD-BLK-P	ToughMate G1 X Hand Strap	TBCG1XSTP-P	Desktop Cradle	FZ-VEBG11AU	Vehicle Docks (no pass-through)		- Gamber-Johnson	7160-0486-00-P	- Havis with LIND power supply	CF-H-PAN-702-P	Vehicle Docks (dual pass-through)		- Gamber-Johnson	7160-0486-02-P	- Havis with LIND power supply	CF-H-PAN-702-2-P	Cradlepoint Router		- Verizon	CP-IBR1100LPE-VZ	- AT&T	CP-IBR1100LPE-AT	Replacement Digitizer Pen Waterproof	FZ-VNPG11U-S	Tether	FZ-VNTG11U	10.1" LCD Protective Film	FZ-VFPG11U
AC Adapter (3-prong)	CF-AA6413CM																																																						
Standard Battery Pack	FZ-VS08A2U																																																						
Long Life Battery Pack ⁷	FZ-VS088U																																																						
Long Life Battery Bundle (includes rotating hand strap and corner guard set)	FZ-BNDL01L15T1C04																																																						
Single Battery Charger Bundle	FZ-BNDL01BATCHR																																																						
LIND 3-Bay Battery Charger	FZ-LND3BAYG1																																																						
LIND Car Adapter 120W	CF-LNDDC120																																																						
LIND Car/AC Adapter 90W (with USB port)	CF-LNDACDC90																																																						
LIND Car Adapter 90W MIL-STD	CF-LNDMLDC90																																																						
Tall Corner Guard Set	FZ-WCGG111																																																						
Rotating Hand Strap and Tall Corner Guard Set Bundle	FZ-BNDL01ST1C04																																																						
ToughMate G1 Always-On Case (with hand strap)	TBCG1AGNL-P																																																						
ToughMate G1 Professional Portfolio	TBCG1PFLD-BLK-P																																																						
ToughMate G1 X Hand Strap	TBCG1XSTP-P																																																						
Desktop Cradle	FZ-VEBG11AU																																																						
Vehicle Docks (no pass-through)																																																							
- Gamber-Johnson	7160-0486-00-P																																																						
- Havis with LIND power supply	CF-H-PAN-702-P																																																						
Vehicle Docks (dual pass-through)																																																							
- Gamber-Johnson	7160-0486-02-P																																																						
- Havis with LIND power supply	CF-H-PAN-702-2-P																																																						
Cradlepoint Router																																																							
- Verizon	CP-IBR1100LPE-VZ																																																						
- AT&T	CP-IBR1100LPE-AT																																																						
Replacement Digitizer Pen Waterproof	FZ-VNPG11U-S																																																						
Tether	FZ-VNTG11U																																																						
10.1" LCD Protective Film	FZ-VFPG11U																																																						

Please consult your reseller or Panasonic representative before purchasing.

Caution: Do not expose bare skin to this product when handling this unit in extreme hot or cold environments.

¹ Approximate time. Battery operation and recharge times will vary based on many factors, including screen brightness, applications, features, power management, battery conditioning and other customer preferences. Battery testing results from MobileMark 2007.

² Bridge battery, magstripe reader, insertable SmartCard reader, insertable SmartCard reader with bridge battery, contactless SmartCard reader and UHF RFID reader are mutually exclusive. Please note, USB 3.0 port cannot be accessed when the unit is equipped with the magstripe reader, but optional USB 2.0 port can be accessed.

³ GPS, Serial Dongle, Ethernet, MicroSDXC and second USB port are mutually exclusive options.

⁴ 1GB = 1,000,000,000 bytes.

⁵ Total usable memory will be less depending upon actual system configuration.

⁶ The size of the VRAM cannot be set by the user and varies by operating system as well as the size of the RAM. Windows 7 max. VRAM is 1555MB.

⁷ Magstripe reader, insertable SmartCard reader, insertable SmartCard reader with bridge battery and UHF RFID reader include full corner guards and rotating hand strap. Bridge battery (without SmartCard reader) includes medium corner guards and rotating hand strap.

⁸ Requires software and activation to enable theft protection.

⁹ Length measurements do not include protrusions. Weight varies with options and digitizer pen.

¹⁰ Accessories and Integrated Options may vary depending on your configuration. Visit the Panasonic website for more accessories and details.

¹¹ Hazardous location certifications may not apply to all configurations. Consult your Panasonic representative for availability.

¹² TPM 1.2 available upon request - please contact your reseller or Panasonic representative.



TOUGHPAD

1.800.662.3537
panasonic.com/toughpad/G1

Panasonic is constantly enhancing product specifications and accessories. Specifications subject to change without notice. Trademarks are property of their respective owners. ©2018 Panasonic Corporation of North America. All rights reserved. Toughpad FZ-G1 m43 Spec Sheet_01/18

Power to evolve

EOS 5D Mark III

Canon

EOS 5D Mark III

Setting a new standard

A unique 22.3-megapixel full-frame CMOS sensor and DIGIC 5+ image processor come together to deliver stunning images. They reveal finer, increased clarity and astonishing low-light performance.

At the heart of the EOS 5D Mark III lies a sensor that delivers detail, tone and colour we never before. It's as if digital photography had been invented all over again.

The full-frame advantage

Engineered for performance

The EOS 5D Mark III is the result of continuous refinement and development, over generations of EOS design. Sophisticated electronics, optics and engineering - all pioneered by Canon.

EOS Movies

The EOS 5D Mark III lets you be as creative with moving pictures as you are with still photography. Shoot high-definition video in 1080p resolution, enjoying manual control over variables including shutter speed, aperture, ISO sensitivity, white balance, colour and frame rate. Access to Canon's extensive EF lens range provides new and exciting creative opportunities, such as the ability to exploit shallow focus and film in low light.

The EOS 5D Mark III uses a sophisticated 61-point High Density Reticle Autofocus system that is versatile enough to satisfy the demands of every type of professional photographer, from those shooting sports and photojournalism to portrait and wedding photographers. Manual controls and assisting low-light sensitivity, even in light as low as -2EV, result in a fast and reliable focusing system, no matter what the conditions throw out you.

High-performance shooting

Exposure control

EOS 5D Mark III provides a wide range of creative options, even in difficult lighting conditions.

Excellence through design

From the moment you pick it up you'll appreciate the collaboration of form and function that is the EOS 5D Mark III. Intuitive controls and superior handling provide the ultimate shooting experience.

Compose, shoot, review

Designed to perform, built to last

Connectivity and camera control

Creative flash photography

The EOS digital workflow

System chart

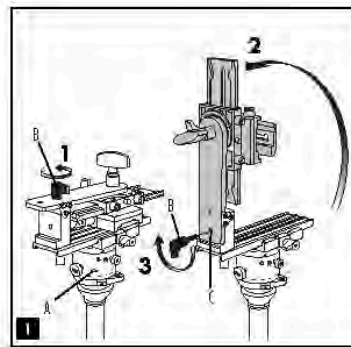
Specifications EOS 5D Mark III





MANFROTTO
INSTRUCTIONS

303SPH
SPHERICAL "VR" HEAD



The spherical "VR" head is designed to allow virtual scenes to be created by Computer from a various panoramic sequences of digital or digital photographic, when at different vertical angles.

There are 4 requirements to achieve good panoramic sequence this:

1. Accurately leveling of the panoramic axis.
2. A panoramic head that enables you to choose the angle of rotation between one shot and the next.
3. The ability to position the camera in the "Metal Point" of the lens (the front lens) is exactly above the panoramic axis of rotation, to eliminate any parallax problems between the near and distant objects in the scene.
4. An additional rotating axis that enables you to shoot several panoramic sequences at different vertical angles in order to achieve a complete spherical scene.

The spherical "VR" head comprises three main modules that perform the four mentioned above in points 2, 3 and 4.

After your tripod has a built-in leveling device (such as the one in the Ball Tripod's Shim Ball Ball), you will need to use one of the leveling accessories available from the Manfrotto range to ensure accurate leveling of the head (see point 1).

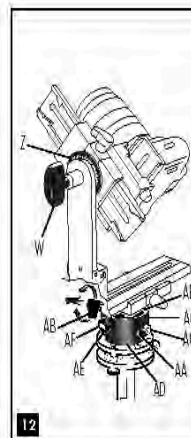
SET UP 1
Fit the leveling device (not supplied) to the tripod, then fit the "VR" head on the leveling device via knuckle attachment "X". Completely remove knob "B", rotate the knuckle into the vertical position as shown in Fig. 1 and lock it in place by screwing the knob "B" into hole "Y".

2



INSTRUCTIONS FOR SPHERICAL PANORAMIC SHOOTING 12
A special panoramic sequence is obtained by adding together panoramic sequences taken at different angles from the horizontal. First you will need to choose the number of panoramic sequences you will need to complete the sphere depending on the angle of the lens you will be using. Before starting with the panoramic sequence, choose the initial vertical angle using the rotatable scale "Z" (Fig. 12). (Unscrew locking knob "AF" or remove it completely if you do not need it) must be used to completely stop rotation when the head is used in non-vertical position, or to avoid any accidental movement of the head in any position.

3



INSTRUCTIONS FOR SPHERICAL PANORAMIC SHOOTING 12
A special panoramic sequence is obtained by adding together panoramic sequences taken at different angles from the horizontal. First you will need to choose the number of panoramic sequences you will need to complete the sphere depending on the angle of the lens you will be using. Before starting with the panoramic sequence, choose the initial vertical angle using the rotatable scale "Z" (Fig. 12). (Unscrew locking knob "AF" or remove it completely if you do not need it) must be used to completely stop rotation when the head is used in non-vertical position, or to avoid any accidental movement of the head in any position.

Decide the number of shots at the angle of rotation between each shot for the first panoramic sequence (see the chart below):

Angle	90°	60°	45°	36°	30°	24°	20°	15°	10°	5°
n. shots	4	6	8	10	12	15	18	24	36	72

- Screw knob "AB" into the selected setting hole "AA".
- Release locking lever "AB" and rotate the camera on top plate "AE" to the position of the first shot.
- Hold the camera in position and rotate the control barrel "AC" until the first "click stop" is reached, then lock lever "AB".
- Take the first shot and then rotate the camera to the next "click stop" without releasing "AB" and take the next shot.

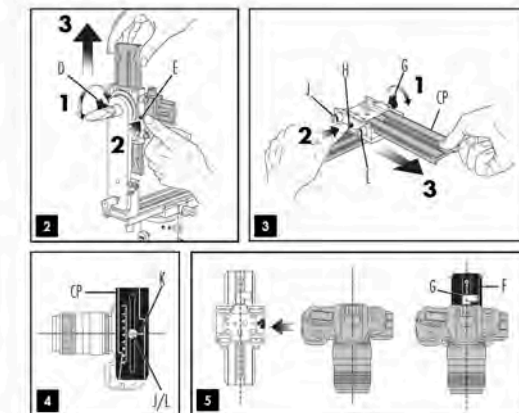
Continue this process until the start position is reached.

Once you have completed the first complete panoramic sequence, you can start with the other panoramic sequences needed to cover the sphere: change the vertical angle using knob "AF" and rotatable scale "Z", and repeat the operations described above for each full sequence.

The base of the head "AD" has graduated scale markings from 0 to 360° and a reference index "AE" to the control barrel "AC". This lets you set the angle of the shot. To set the angle in this way, which knob "AB" is disengaged, the "click stop" during rotation of control barrel "AC" and use the locking knob "AB" to lock the position during shooting.

NOTE: The angle of the lever on the ratchet knob "AB" can be repositioned as required without affecting the lock itself. Pull the lever upwards, rotate as required and release and it will locate in the new position.

8



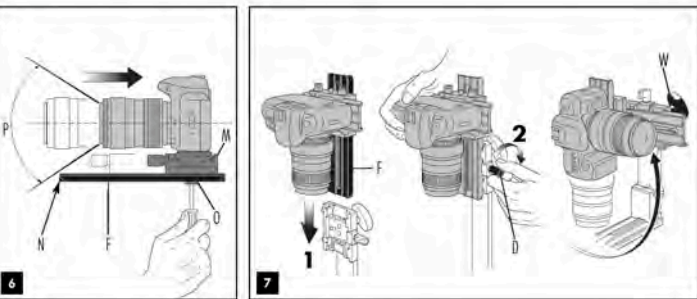
MOUNTING THE CAMERA 3 3 3 3
Remove the top assembly (Fig. 7) by releasing knob "D". To slide it completely out of the housing, push safety button "E".

Remove camera plate "CP" (Fig. 3) by releasing knob "G". To slide it completely out of the housing, push safety button "H".

You will find two screws attached to the top assembly: screw "I" (Fig. 3) is 1/4 in. "J" is 3/8 in. Depending on your camera tripod attachment, choose the correct screw and use it to fix your camera to plate "CP" (Fig. 4). Use a coin or screwdriver to lock: take care to align the lens with the centre of the plate indicated by letter "K".

Mount the camera on the top assembly as shown in Figure 5 by sliding the camera + plate into the housing following the direction shown by the "insert" arrow. Lock in place using knob "G", before locking, take care to align the lens with the long plate "F" - the lens axis must be perfectly above the slot of the plate as shown in Figure 5. The angle of the lever on the ratchet knob "G" can be repositioned as required without affecting the lock itself. Pull the lever upwards, rotate as required and release and it will locate in the new position.

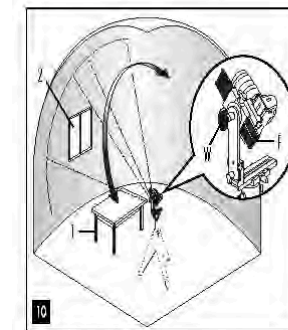
3



NOTE 4
The position of the housing "M" relative to the long plate "F" will need to be adjusted: loosen screw "O" to slide the housing. The ideal position is with the camera body as far back on the plate as it can go before the front edge "N" of the long plate "F" becomes visible in the camera's field of view "P".

MOUNT THE CAMERA ON THE HEAD 2
Align the whole top assembly + camera on the head as shown in Figure 7 by sliding the long plate "F" into the housing and locking it by screwing knob "D". Then screw knob "W" and move the camera on the vertical plane.

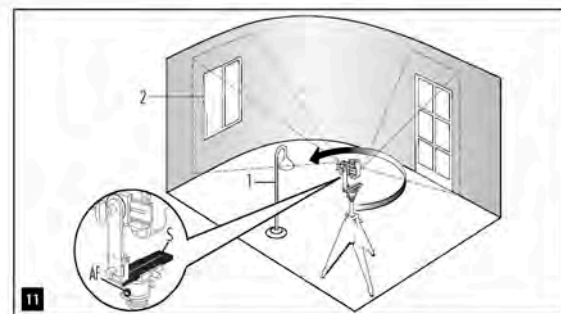
4



ADJUST POSITIONING OF THE HEAD POINT 10
If the two axes that contain objects of varying distance from the point where the shot is being taken (near and distant objects), the "Metal Point" needs to be more accurately positioned to follow (the greater a possible UNIT with wider camera).
Note:
- FIRST AXIS LONGITUDINAL POSITIONING -
- SECOND AXIS LATERAL POSITIONING - ONLY WHEN LONGITUDINAL POSITIONING HAS BEEN SET

LONGITUDINAL POSITIONING 10
(See Figure 10). Choose a frame that contains both a near object "1" and a distant object "2" situated along the same vertical line of vision.
1. (See Figure 10A and 10B) unscrew knob "AF" and move the camera on the vertical plane to bring the two objects first to the top and then to the bottom of the frame, checking whether the height gap "Y" between the two objects in the two frames, the more accurate the distance remains, the more accurately the "Metal Point" has been positioned.
2. For optimum results, make minor adjustments by moving plate "F".
Once the right position is achieved it is VERY USEFUL to measure it by noting the position of the plate "F" on the index on the graduated scale.

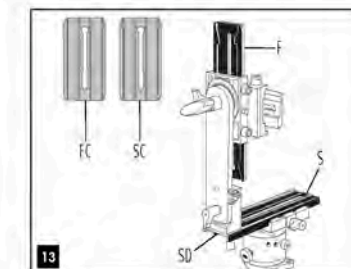
1



LATERAL POSITIONING 11
(See Figure 11). Choose a frame that contains both a near object "1" and a distant object "2" situated along the same horizontal line of vision.
1. (See Figure 11A and 11B) unscrew knob "AF" and move the camera around the panoramic axis so that the two objects are first on the left hand side of the frame, then on the right. Check whether the horizontal gap "X" between the two objects varies in the two frames: the more constant the distance remains, the more accurately the "Metal Point" has been positioned.
2. For optimum results, make minor adjustments by moving plate "S".

Once the right position is achieved it is VERY USEFUL to measure it by noting the position of the plate "S" on the index on the graduated scale.

7



ADDITIONAL PLATES 13
If you have a very compact camera we suggest you to use the short plate "SC" (Fig. 13) and "FC" (supplied with the head) instead of the two long plates "F" and "S" in order to reduce space and weight of the system.
To replace the plate "S" unscrew screw "SS" (Fig. 13).
To replace the plate "F", please refer to Fig. 6 and unscrew screw "O".

USE OF THE KIT AS AN OBJECT PANORAMA TURNABLE 14
The head can also be used as a turntable, useful for shooting object panoramas. For this use, loosen knob "H" and push button "AH" to slide the lower plate "S" out of the housing on the panoramic rotation base unit. In place of the long plate and top assembly, mount one of the two shorter plates supplied as a base for your object. The plate housing has a "center" mark to help you position your object accurately above the center of panoramic rotation.

14

9